

Museum Quality Light.



Art. No. 039513.912

Project: Chengdu Museum
Location: No 2, Jinsha Road, Qingyang District, Chengdu
Project Year: 2019
Lighting Equipment: Dux A4, Dux A5, Tracron M6



Dux A4
Built to inspire art.

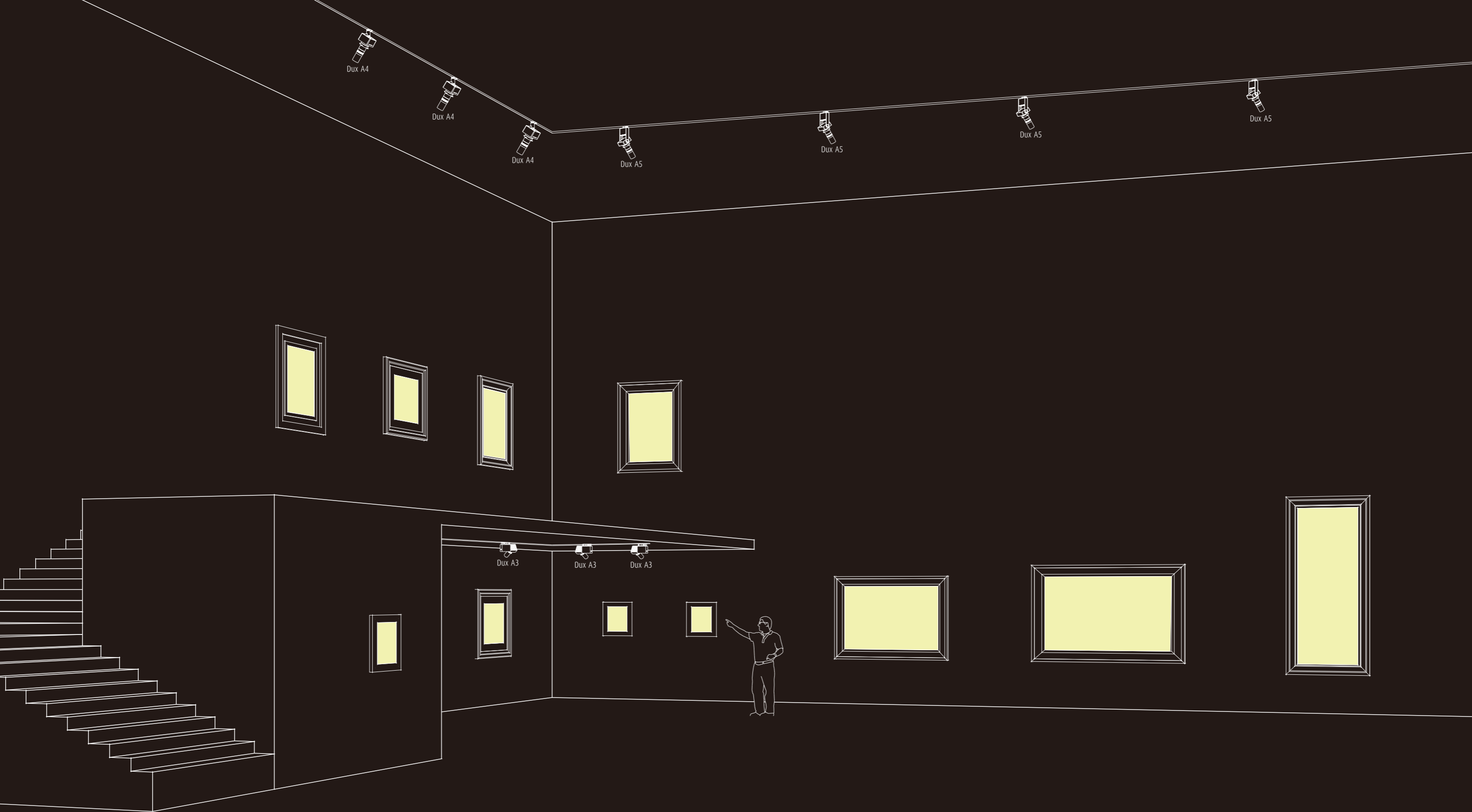
Specifications and
lighting distribution
data

akzu.com

AKZU



Visit akzu.com for the latest product information.
For detailed product specifications and museum lighting design,
please send your kind inquiry to info@akzu.com



Dux A4 fine art projector

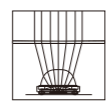
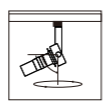
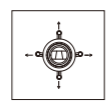

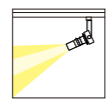
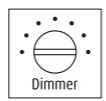
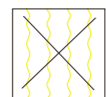
Focus on painting, feature the art, capture details, Shine every idea brilliantly.

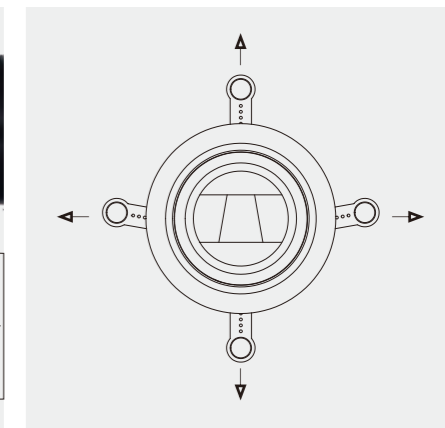
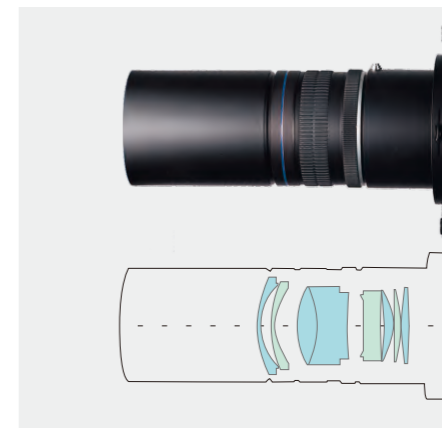
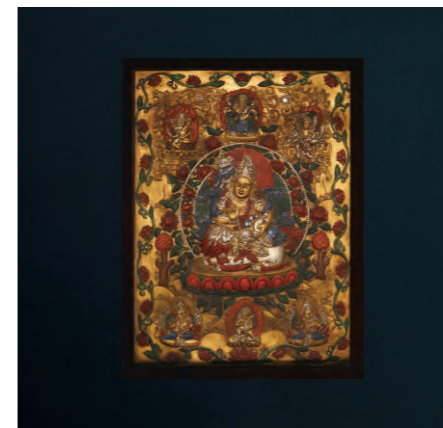
Distance from 3m to 5m, beam angle from 12°, 18°, 28° to 39° of accurate lighting.



Dux A4 fine art projector uses a brand new advanced optical aperture imaging technology, precise optical lens with high transparency, transforms the light from LED chips into parallel light with uniform intensity. By adjusting the shape and size of the diaphragm to control the shape and size of the projection, the exhibits are illuminated accurately. Dux A4 with 20W wattage, highly integrated, only projecting the paintings, no light on the wall, provides a powerful and accurate lighting tool for museums and art galleries.

Wattage: 20W
 Beam angle: Max 12°, Max 18°, Max 28°, Max 39°, square, round, logo, gobo
 Color temperature: 3000K, 4000K
 Luminous flux: 2000lm-2300lm
 Color: black
 Housing and bracket: cast aluminium, powder-coated.
 Rotation & tilt: 0°-90° tilt, bracket rotatable through 360°.
 Adapter: 3-circuit,
 Control mode: DALI, with dimmer.
 Brightness control range: 0-100%.
 Replaceable LED module: high-power LEDs on metal-core PCB, collimating Noctix lens, LED life span over 50000 hours.

-  Noctix high power collimating lens
-  360°x90° rotation
-  Precise beam shaping, square/trapezoid adjustment
-  DALI
-  Light type guidelines
-  With dimmer
-  No Flicker



No glare, no leakage, no stray light, show the charm of art in an artistic way. Brand new lighting mode, advanced optical imaging technology, no glare, no leakage, no stray light, Dux A4 helps attracting all the

attention of the audience to the artistic atmosphere of the art works, and achieves precise projection on the canvas, giving the static art exhibits fresh vitality. Floating pictures, perfect presentation of the essence of art.

Precise optical imaging lens, rotary focusing, perfect overall control of light.
 Dux A4 fine art projector maximizes the collection of light, with carefully designed optical uniform

system, precision optical lens, achieves satisfactory lighting effect with no glare, no leakage, no stray light.

Precise beam shaping, square/trapezoid adjustment
 Dux A4 adopts aperture diaphragm imaging technology. You can adjust the size of the aperture manually according to the

requirements of different picture size, realizing the projection contour integrated with the exhibits, and achieving the best display effect. Accurate beam shaping enables the audience to have the best viewing experience.



Highly integrated, accurate lighting, efficient tool for exhibition arrangement.
 Dux A4 is consistent with the structure of Tracron M4, focusing on fast lighting requirements for

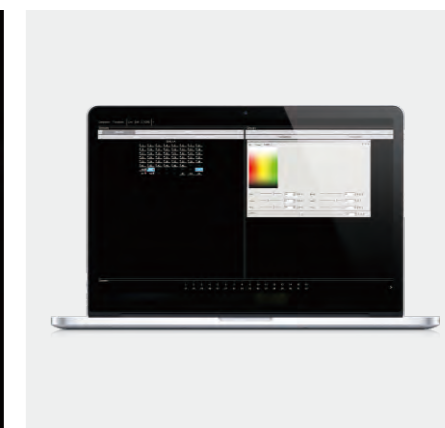
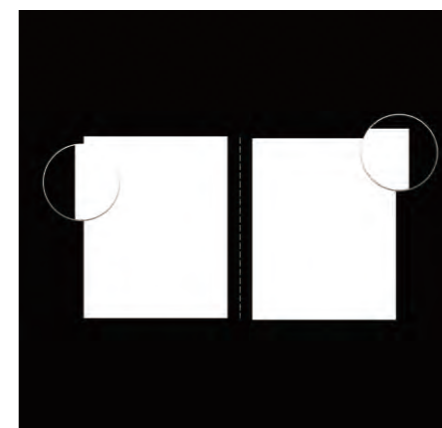
exhibition space less than 4 meters, provides fast and accurate lighting for the museum spaces.

Built-in smooth dimmer, optimally coordinate with art
 With built-in dimming function, no need to be connected to the intelligent system, Dux A4 can achieve 0-100% linear,

non-flicker dimming. You only need to slightly rotate the dimmer, then you can accurately adjust the brightness of lamps to achieve ideal illumination according to the lighting demands.

Lens type bayonet structure, convenient replacement.
 Dux A4 museum contour projector uses the bayonet fixture, ensures the easy replacement of optical components. In addition to

the standard 20X optical lens module, there is another 10X lens module optional, so that contour projector can adjust the projection distance on demand, far or near.



High color rendering
 With high uniformity light quality and CRI up to 95, Dux A4 contour projector brings out pure, smooth, saturated, comfortable and penetrating light, and revivifies the original colors

faithfully, revealing more natural, richer artistic details.

Clear edges and non-dispersive, sharp corners and non-distorted.
 With professional optical lens design, excellent color balance and optimized lens coating technic, precise processing technology and

ideal lens configuration, Dux A4 effectively avoids the occurrence of white light dispersion, ensuring the absolute purity of the overall light color and the revivification of gorgeous artistic details.



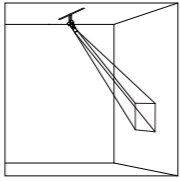
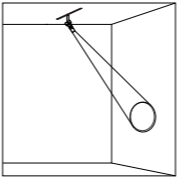
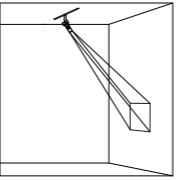
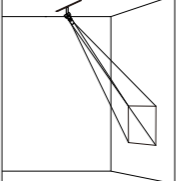
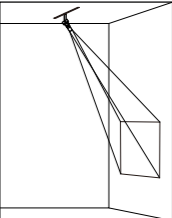
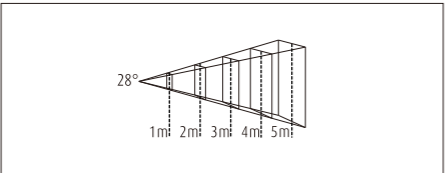
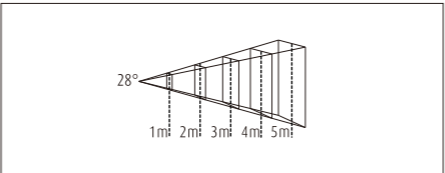
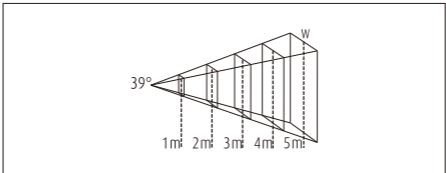
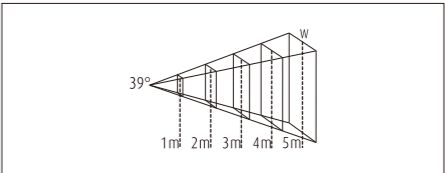
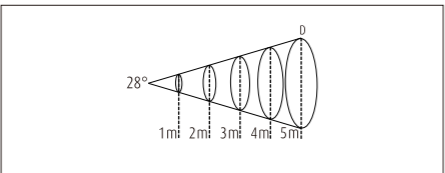
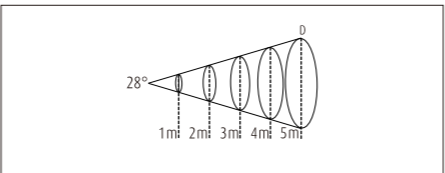
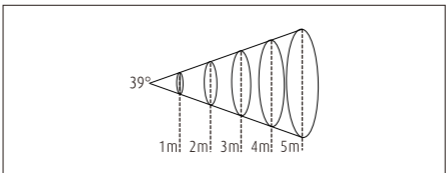
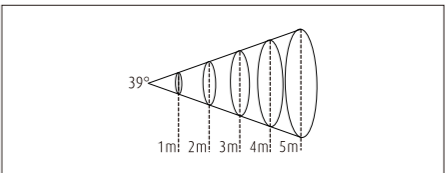
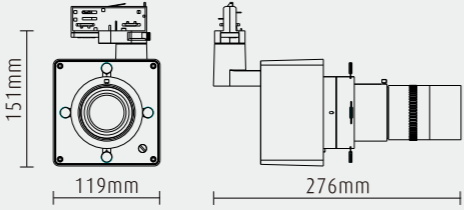
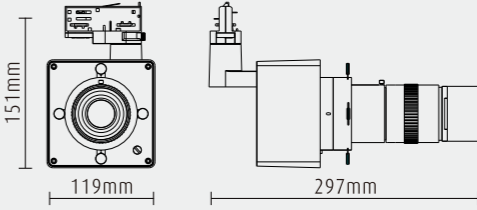
DALI lighting system
 Digital Addressable Lighting Interface uses open system of DALI-protocol-based technology, by applying DALI control technology, Dux A4 fine art projector realize

intelligent control on the brightness, condition monitoring and different scene mode setting.

Dux A4 Specifications and lighting distribution data

Fine art projector																																																																																						
Wattage					20W																																																																																	
Model					T28C																																																																																	
Beam angle	max 12°				max 18°																																																																																	
Light type chart																																																																																						
Color temperature	3000K		4000K		3000K		4000K																																																																															
CRI(Ra)	95		85		95		85																																																																															
Luminous flux	2000lm		2300lm		2000lm		2300lm																																																																															
Lighting distribution data ¹	<table border="1"> <thead> <tr> <th>H(m)</th> <th>W(m)</th> <th>E(lx)</th> </tr> </thead> <tbody> <tr><td>5</td><td>0.72</td><td>221</td></tr> <tr><td>6</td><td>0.87</td><td>154</td></tr> <tr><td>7</td><td>1.01</td><td>113</td></tr> <tr><td>8</td><td>1.16</td><td>86</td></tr> <tr><td>9</td><td>1.31</td><td>67</td></tr> <tr><td>10</td><td>1.46</td><td>55</td></tr> </tbody> </table>		H(m)	W(m)	E(lx)	5	0.72	221	6	0.87	154	7	1.01	113	8	1.16	86	9	1.31	67	10	1.46	55	<table border="1"> <thead> <tr> <th>H(m)</th> <th>W(m)</th> <th>E(lx)</th> </tr> </thead> <tbody> <tr><td>5</td><td>0.72</td><td>252</td></tr> <tr><td>6</td><td>0.87</td><td>175</td></tr> <tr><td>7</td><td>1.01</td><td>128</td></tr> <tr><td>8</td><td>1.16</td><td>98</td></tr> <tr><td>9</td><td>1.31</td><td>77</td></tr> <tr><td>10</td><td>1.46</td><td>62</td></tr> </tbody> </table>		H(m)	W(m)	E(lx)	5	0.72	252	6	0.87	175	7	1.01	128	8	1.16	98	9	1.31	77	10	1.46	62	<table border="1"> <thead> <tr> <th>H(m)</th> <th>W(m)</th> <th>E(lx)</th> </tr> </thead> <tbody> <tr><td>2</td><td>0.45</td><td>883</td></tr> <tr><td>3</td><td>0.68</td><td>375</td></tr> <tr><td>4</td><td>0.89</td><td>197</td></tr> <tr><td>5</td><td>1.17</td><td>127</td></tr> <tr><td>6</td><td>1.34</td><td>80</td></tr> </tbody> </table>		H(m)	W(m)	E(lx)	2	0.45	883	3	0.68	375	4	0.89	197	5	1.17	127	6	1.34	80	<table border="1"> <thead> <tr> <th>H(m)</th> <th>W(m)</th> <th>E(lx)</th> </tr> </thead> <tbody> <tr><td>2</td><td>0.45</td><td>1018</td></tr> <tr><td>3</td><td>0.68</td><td>452</td></tr> <tr><td>4</td><td>0.89</td><td>254</td></tr> <tr><td>5</td><td>1.17</td><td>162</td></tr> <tr><td>6</td><td>1.34</td><td>113</td></tr> </tbody> </table>		H(m)	W(m)	E(lx)	2	0.45	1018	3	0.68	452	4	0.89	254	5	1.17	162	6	1.34	113
	H(m)	W(m)	E(lx)																																																																																			
5	0.72	221																																																																																				
6	0.87	154																																																																																				
7	1.01	113																																																																																				
8	1.16	86																																																																																				
9	1.31	67																																																																																				
10	1.46	55																																																																																				
H(m)	W(m)	E(lx)																																																																																				
5	0.72	252																																																																																				
6	0.87	175																																																																																				
7	1.01	128																																																																																				
8	1.16	98																																																																																				
9	1.31	77																																																																																				
10	1.46	62																																																																																				
H(m)	W(m)	E(lx)																																																																																				
2	0.45	883																																																																																				
3	0.68	375																																																																																				
4	0.89	197																																																																																				
5	1.17	127																																																																																				
6	1.34	80																																																																																				
H(m)	W(m)	E(lx)																																																																																				
2	0.45	1018																																																																																				
3	0.68	452																																																																																				
4	0.89	254																																																																																				
5	1.17	162																																																																																				
6	1.34	113																																																																																				
	<table border="1"> <thead> <tr> <th>H(m)</th> <th>D(m)</th> <th>E(lx)</th> </tr> </thead> <tbody> <tr><td>5</td><td>1.02</td><td>221</td></tr> <tr><td>6</td><td>1.23</td><td>154</td></tr> <tr><td>7</td><td>1.43</td><td>113</td></tr> <tr><td>8</td><td>1.64</td><td>86</td></tr> <tr><td>9</td><td>1.84</td><td>67</td></tr> <tr><td>10</td><td>2.04</td><td>55</td></tr> </tbody> </table>		H(m)	D(m)	E(lx)	5	1.02	221	6	1.23	154	7	1.43	113	8	1.64	86	9	1.84	67	10	2.04	55	<table border="1"> <thead> <tr> <th>H(m)</th> <th>D(m)</th> <th>E(lx)</th> </tr> </thead> <tbody> <tr><td>5</td><td>1.02</td><td>252</td></tr> <tr><td>6</td><td>1.23</td><td>175</td></tr> <tr><td>7</td><td>1.43</td><td>128</td></tr> <tr><td>8</td><td>1.64</td><td>98</td></tr> <tr><td>9</td><td>1.84</td><td>77</td></tr> <tr><td>10</td><td>2.04</td><td>62</td></tr> </tbody> </table>		H(m)	D(m)	E(lx)	5	1.02	252	6	1.23	175	7	1.43	128	8	1.64	98	9	1.84	77	10	2.04	62	<table border="1"> <thead> <tr> <th>H(m)</th> <th>D(m)</th> <th>E(lx)</th> </tr> </thead> <tbody> <tr><td>2</td><td>0.64</td><td>883</td></tr> <tr><td>3</td><td>0.96</td><td>375</td></tr> <tr><td>4</td><td>1.26</td><td>197</td></tr> <tr><td>5</td><td>1.58</td><td>127</td></tr> <tr><td>6</td><td>1.90</td><td>80</td></tr> </tbody> </table>		H(m)	D(m)	E(lx)	2	0.64	883	3	0.96	375	4	1.26	197	5	1.58	127	6	1.90	80	<table border="1"> <thead> <tr> <th>H(m)</th> <th>D(m)</th> <th>E(lx)</th> </tr> </thead> <tbody> <tr><td>2</td><td>0.64</td><td>1018</td></tr> <tr><td>3</td><td>0.96</td><td>452</td></tr> <tr><td>4</td><td>1.26</td><td>254</td></tr> <tr><td>5</td><td>1.58</td><td>162</td></tr> <tr><td>6</td><td>1.90</td><td>113</td></tr> </tbody> </table>		H(m)	D(m)	E(lx)	2	0.64	1018	3	0.96	452	4	1.26	254	5	1.58	162	6	1.90	113
H(m)	D(m)	E(lx)																																																																																				
5	1.02	221																																																																																				
6	1.23	154																																																																																				
7	1.43	113																																																																																				
8	1.64	86																																																																																				
9	1.84	67																																																																																				
10	2.04	55																																																																																				
H(m)	D(m)	E(lx)																																																																																				
5	1.02	252																																																																																				
6	1.23	175																																																																																				
7	1.43	128																																																																																				
8	1.64	98																																																																																				
9	1.84	77																																																																																				
10	2.04	62																																																																																				
H(m)	D(m)	E(lx)																																																																																				
2	0.64	883																																																																																				
3	0.96	375																																																																																				
4	1.26	197																																																																																				
5	1.58	127																																																																																				
6	1.90	80																																																																																				
H(m)	D(m)	E(lx)																																																																																				
2	0.64	1018																																																																																				
3	0.96	452																																																																																				
4	1.26	254																																																																																				
5	1.58	162																																																																																				
6	1.90	113																																																																																				
Control mode ²																																																																																						
DALI	✓		✓		✓		✓																																																																															
With dimmer	✓		✓		✓		✓																																																																															
Quality																																																																																						
5-year warranty ³	●		●		●		●																																																																															
CE/CCC	●		●		●		●																																																																															
Protection degree	IP20				IP20																																																																																	
Voltage	220-240V~ 50/60Hz				220-240V~ 50/60Hz																																																																																	
Rotation & tilt	360°/90°				360°/90°																																																																																	
Dimension																																																																																						
Weight	1.60Kg				1.50Kg																																																																																	
Package dimension	290mm x 290mm x 190mm				290mm x 290mm x 190mm																																																																																	
Article code	667005	667002	667055	667052	667017	667014	667067	667064																																																																														
Note	<p>1. All data, images, and specifications are typical and for reference only, and may be changed due to product improvement without prior notice.</p> <p>2. Control mode can be customized as phase-cut dimming and bluetooth dimming.</p> <p>3. The warranty policy in the general terms and conditions shall apply exclusively for product supplied by AKZU.</p> <p>4. For more information, please call 400-687-2598 or visit us at www.akzu.com.</p>																																																																																					

Dux A4 Specifications and lighting distribution data

Fine art projector																																																																																
Wattage					20W																																																																											
Model					T28C																																																																											
Beam angle	max 28°				max 39°																																																																											
Light type chart																																																																																
Color temperature	3000K		4000K		3000K		4000K																																																																									
CRI(Ra)	95		85		95		85																																																																									
Luminous flux	2000lm		2300lm		2000lm		2300lm																																																																									
Lighting distribution data ¹	 <table border="1"> <thead> <tr> <th>H(m)</th> <th>W(m)</th> <th>E(lx)</th> </tr> </thead> <tbody> <tr><td>1</td><td>0.35</td><td>2149</td></tr> <tr><td>2</td><td>0.76</td><td>537</td></tr> <tr><td>3</td><td>1.19</td><td>238</td></tr> <tr><td>4</td><td>1.57</td><td>134</td></tr> <tr><td>5</td><td>1.98</td><td>85</td></tr> </tbody> </table>		H(m)	W(m)	E(lx)	1	0.35	2149	2	0.76	537	3	1.19	238	4	1.57	134	5	1.98	85	 <table border="1"> <thead> <tr> <th>H(m)</th> <th>W(m)</th> <th>E(lx)</th> </tr> </thead> <tbody> <tr><td>1</td><td>0.35</td><td>2473</td></tr> <tr><td>2</td><td>0.76</td><td>617</td></tr> <tr><td>3</td><td>1.19</td><td>274</td></tr> <tr><td>4</td><td>1.57</td><td>154</td></tr> <tr><td>5</td><td>1.98</td><td>98</td></tr> </tbody> </table>		H(m)	W(m)	E(lx)	1	0.35	2473	2	0.76	617	3	1.19	274	4	1.57	154	5	1.98	98	 <table border="1"> <thead> <tr> <th>H(m)</th> <th>W(m)</th> <th>E(lx)</th> </tr> </thead> <tbody> <tr><td>1</td><td>0.50</td><td>604</td></tr> <tr><td>2</td><td>1.10</td><td>151</td></tr> <tr><td>3</td><td>1.70</td><td>67</td></tr> <tr><td>4</td><td>2.30</td><td>37</td></tr> <tr><td>5</td><td>2.90</td><td>24</td></tr> </tbody> </table>		H(m)	W(m)	E(lx)	1	0.50	604	2	1.10	151	3	1.70	67	4	2.30	37	5	2.90	24	 <table border="1"> <thead> <tr> <th>H(m)</th> <th>W(m)</th> <th>E(lx)</th> </tr> </thead> <tbody> <tr><td>1</td><td>0.50</td><td>694</td></tr> <tr><td>2</td><td>1.10</td><td>173</td></tr> <tr><td>3</td><td>1.70</td><td>76</td></tr> <tr><td>4</td><td>2.30</td><td>43</td></tr> <tr><td>5</td><td>2.90</td><td>27</td></tr> </tbody> </table>		H(m)	W(m)	E(lx)	1	0.50	694	2	1.10	173	3	1.70	76	4	2.30	43	5	2.90	27
	H(m)	W(m)	E(lx)																																																																													
1	0.35	2149																																																																														
2	0.76	537																																																																														
3	1.19	238																																																																														
4	1.57	134																																																																														
5	1.98	85																																																																														
H(m)	W(m)	E(lx)																																																																														
1	0.35	2473																																																																														
2	0.76	617																																																																														
3	1.19	274																																																																														
4	1.57	154																																																																														
5	1.98	98																																																																														
H(m)	W(m)	E(lx)																																																																														
1	0.50	604																																																																														
2	1.10	151																																																																														
3	1.70	67																																																																														
4	2.30	37																																																																														
5	2.90	24																																																																														
H(m)	W(m)	E(lx)																																																																														
1	0.50	694																																																																														
2	1.10	173																																																																														
3	1.70	76																																																																														
4	2.30	43																																																																														
5	2.90	27																																																																														
	 <table border="1"> <thead> <tr> <th>H(m)</th> <th>D(m)</th> <th>E(lx)</th> </tr> </thead> <tbody> <tr><td>1</td><td>0.49</td><td>2149</td></tr> <tr><td>2</td><td>1.07</td><td>537</td></tr> <tr><td>3</td><td>1.68</td><td>238</td></tr> <tr><td>4</td><td>2.23</td><td>134</td></tr> <tr><td>5</td><td>2.80</td><td>85</td></tr> </tbody> </table>		H(m)	D(m)	E(lx)	1	0.49	2149	2	1.07	537	3	1.68	238	4	2.23	134	5	2.80	85	 <table border="1"> <thead> <tr> <th>H(m)</th> <th>D(m)</th> <th>E(lx)</th> </tr> </thead> <tbody> <tr><td>1</td><td>0.49</td><td>2473</td></tr> <tr><td>2</td><td>1.07</td><td>617</td></tr> <tr><td>3</td><td>1.68</td><td>274</td></tr> <tr><td>4</td><td>2.23</td><td>154</td></tr> <tr><td>5</td><td>2.80</td><td>98</td></tr> </tbody> </table>		H(m)	D(m)	E(lx)	1	0.49	2473	2	1.07	617	3	1.68	274	4	2.23	154	5	2.80	98	 <table border="1"> <thead> <tr> <th>H(m)</th> <th>D(m)</th> <th>E(lx)</th> </tr> </thead> <tbody> <tr><td>1</td><td>0.70</td><td>604</td></tr> <tr><td>2</td><td>1.40</td><td>151</td></tr> <tr><td>3</td><td>2.10</td><td>67</td></tr> <tr><td>4</td><td>2.80</td><td>37</td></tr> <tr><td>5</td><td>3.50</td><td>24</td></tr> </tbody> </table>		H(m)	D(m)	E(lx)	1	0.70	604	2	1.40	151	3	2.10	67	4	2.80	37	5	3.50	24	 <table border="1"> <thead> <tr> <th>H(m)</th> <th>D(m)</th> <th>E(lx)</th> </tr> </thead> <tbody> <tr><td>1</td><td>0.70</td><td>694</td></tr> <tr><td>2</td><td>1.40</td><td>173</td></tr> <tr><td>3</td><td>2.10</td><td>76</td></tr> <tr><td>4</td><td>2.80</td><td>43</td></tr> <tr><td>5</td><td>3.50</td><td>27</td></tr> </tbody> </table>		H(m)	D(m)	E(lx)	1	0.70	694	2	1.40	173	3	2.10	76	4	2.80	43	5	3.50	27
H(m)	D(m)	E(lx)																																																																														
1	0.49	2149																																																																														
2	1.07	537																																																																														
3	1.68	238																																																																														
4	2.23	134																																																																														
5	2.80	85																																																																														
H(m)	D(m)	E(lx)																																																																														
1	0.49	2473																																																																														
2	1.07	617																																																																														
3	1.68	274																																																																														
4	2.23	154																																																																														
5	2.80	98																																																																														
H(m)	D(m)	E(lx)																																																																														
1	0.70	604																																																																														
2	1.40	151																																																																														
3	2.10	67																																																																														
4	2.80	37																																																																														
5	3.50	24																																																																														
H(m)	D(m)	E(lx)																																																																														
1	0.70	694																																																																														
2	1.40	173																																																																														
3	2.10	76																																																																														
4	2.80	43																																																																														
5	3.50	27																																																																														
Control mode ²																																																																																
DALI	✓		✓		✓		✓		✓																																																																							
With dimmer	✓		✓		✓		✓		✓																																																																							
Quality																																																																																
5-year warranty ³	●		●		●		●		●																																																																							
CE/CCC	●		●		●		●		●																																																																							
Protection degree	IP20				IP20																																																																											
Voltage	220-240V~ 50/60Hz				220-240V~ 50/60Hz																																																																											
Rotation & tilt	360°/90°				360°/90°																																																																											
Dimension																																																																																
Weight	1.50Kg				1.50Kg																																																																											
Package dimension	290mm x 290mm x 190mm				290mm x 290mm x 190mm																																																																											
Article code	667029	667026	667079	667076	667041	667038	667091	667088																																																																								
Note	<p>1. All data, images, and specifications are typical and for reference only, and may be changed due to product improvement without prior notice.</p> <p>2. Control mode can be customized as phase-cut dimming and bluetooth dimming.</p> <p>3. The warranty policy in the general terms and conditions shall apply exclusively for product supplied by AKZU.</p> <p>4. For more information, please call 400-687-2598 or visit us at www.akzu.com.</p>																																																																															

